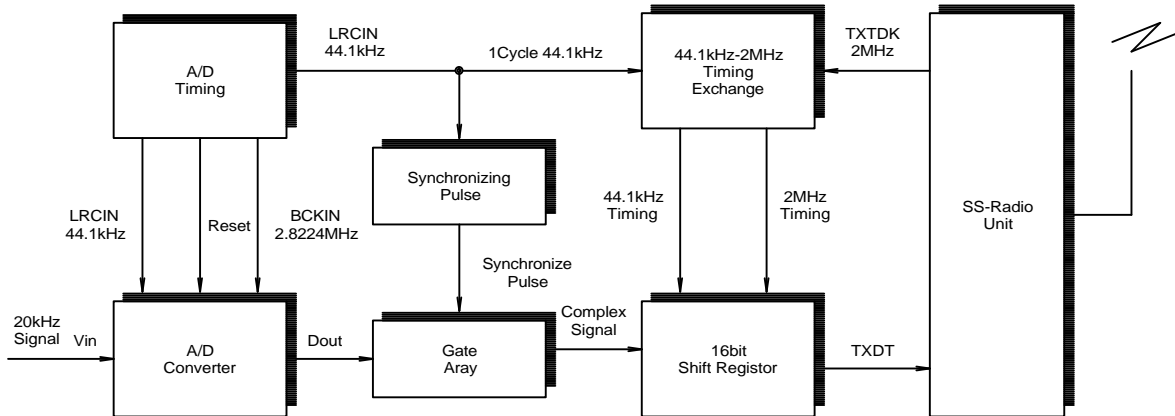


A/D Timing Exchange SS Transmitter



SS Receiver D/A Exchange

